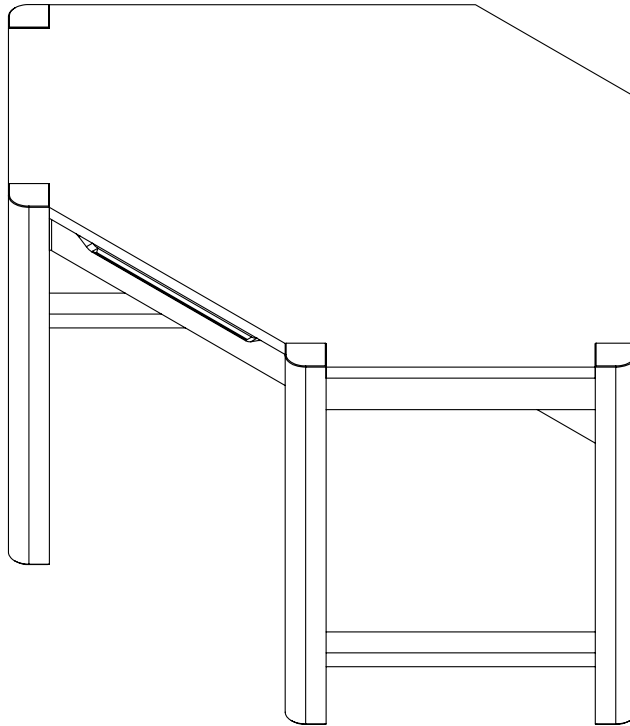


# Baker Bedford

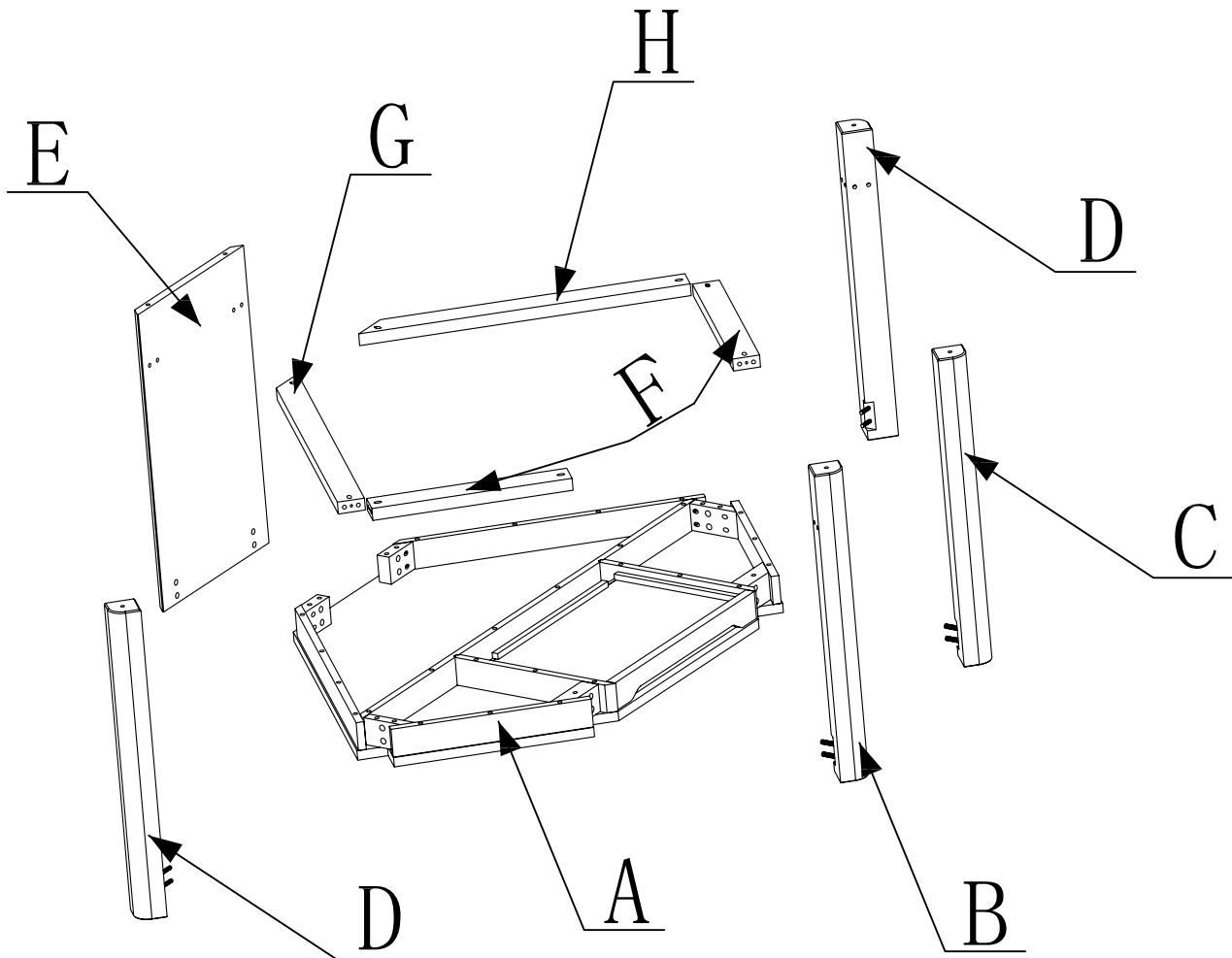
Corner Desk (Product Code AO02)










## Step By Step Assembly Instructions

### Pre-Assembly Preparation





1. Please check the pack contents before attempting to assemble this product. A full checklist of components is given in this leaflet. If any components are missing, please contact the retailer from whom you bought this product.
2. This product is **HEAVY**, it should be assembled as near as possible to the point of use. **TAKE CARE WHEN LIFTING** to avoid personal injury and (or) damage to the product.
3. This product takes approximately 30 MINUTES to assemble with 1 PEOPLE.
4. The fittings pack contains **SMALL ITEMS** which should be **KEPT AWAY FROM YOUNG CHILDREN**.
5. Read this leaflet in full before commencing assembly.

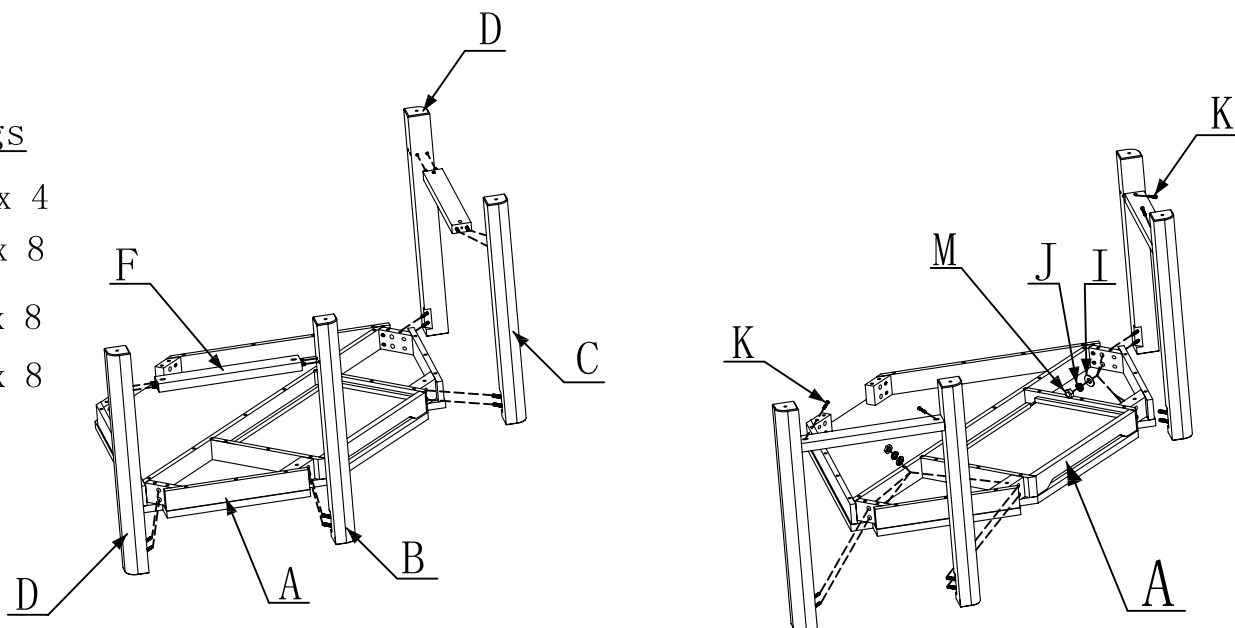


A	Desk Top	1	B	Left Front Leg	1	C	Right Front Leg	1
D	Back Legs	2	E	Back Panel	1	F	Side Stretcher	2
G	Back Left Stretcher	1	H	Back Right Stretcher	1	I	Flat Washer	12
								
J	Split Washer	12	K	30mm CSK Screws	8	L	Bolt	4
								
M	Nuts	8	N	Allen Key	1	O	Open Spanner	1
								

Step 1 -Put the top upside down. Then locate the legs into the corners by using the flat and split washers and nuts. Then screw the stretchers(F) onto the Legs(D) as shown. Tighten the nuts on the corners.





### Fittings

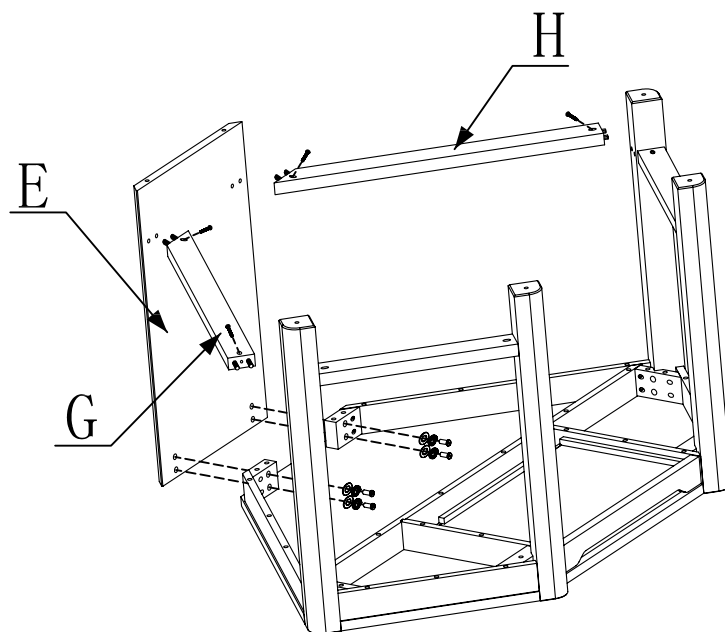
-  K x 4
-  I x 8
-  J x 8
-  M x 8



Step 2 -Locate the back panel(F) onto the top by using flat washers, split washers and bolts as shown. Screw the stretchers between the back panel and legs as shown. Then Tighten all the bolts. Now the assembly is completed.

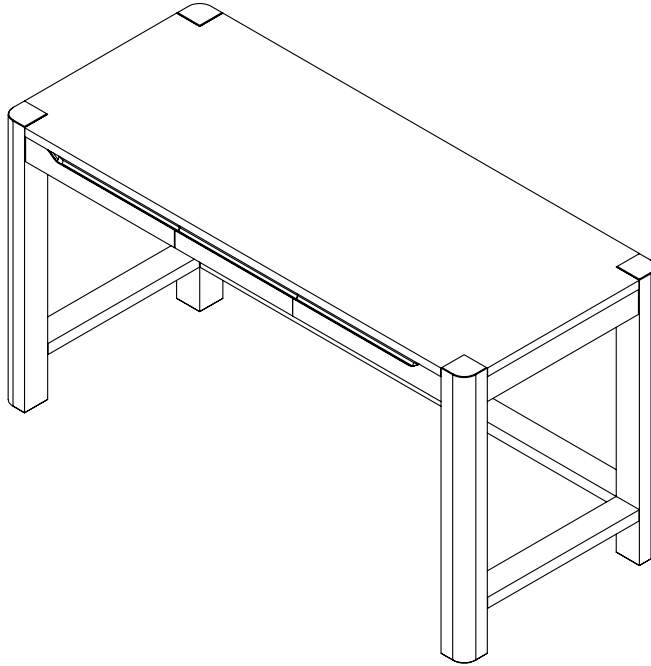
### Fittings

-  K x 4
-  I x 4
-  J x 4
-  L x 4



# Baker Bedford

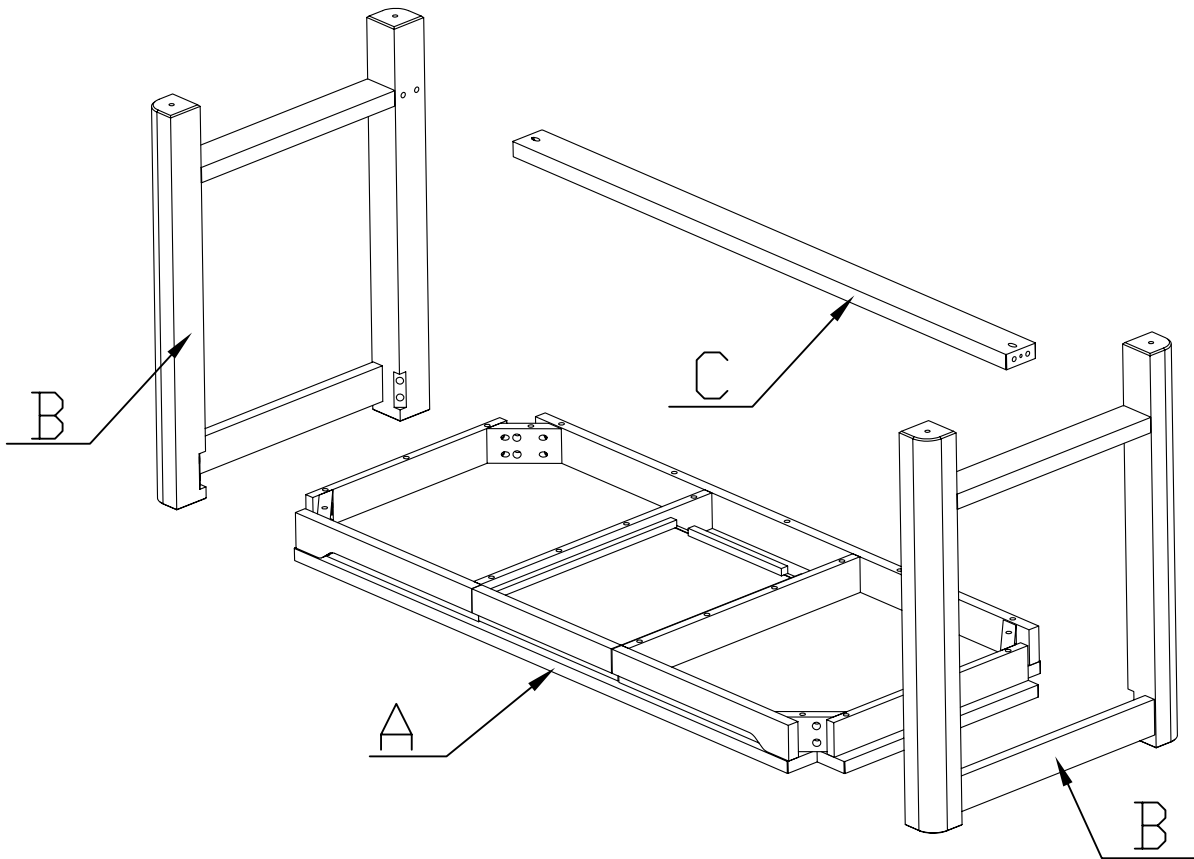
Desk (Product Code A001)

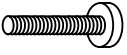






## Step By Step Assembly Instructions

### Pre-Assembly Preparation

1. Please check the pack contents before attempting to assemble this product. A full checklist of components is given in this leaflet. If any components are missing, please contact the retailer from whom you bought this product.
2. This product is HEAVY, it should be assembled as near as possible to the point of use. TAKE CARE WHEN LIFTING to avoid personal injury and(or) damage to the product.
3. This product takes approximately 30 MINUTES to assemble with 1 PEOPLE.
4. The fittings pack contains SMALL ITEMS which should be KEPT AWAY FROM YOUNG CHILDREN.
5. Read this leaflet in full before commencing assembly.



A	Desk Top	1	B	Side Frame	2	C	Stretcher	1
D	Bolts	8	E	Flat Washer	8	F	Split Washer	8
								
G	Allen Key	1	H	Screws	2			
								

Step 1 -Locate the stretcher(C)onto the side frames(B),tighten by using two screws(H).Put the desk top upside down,locate the side frames onto the underside of the desk top.Align the legs as shown below.Ensuring that the bolts align to holes in the desk top.

## Fittings

