

ASSEMBLING INSTRUCTION

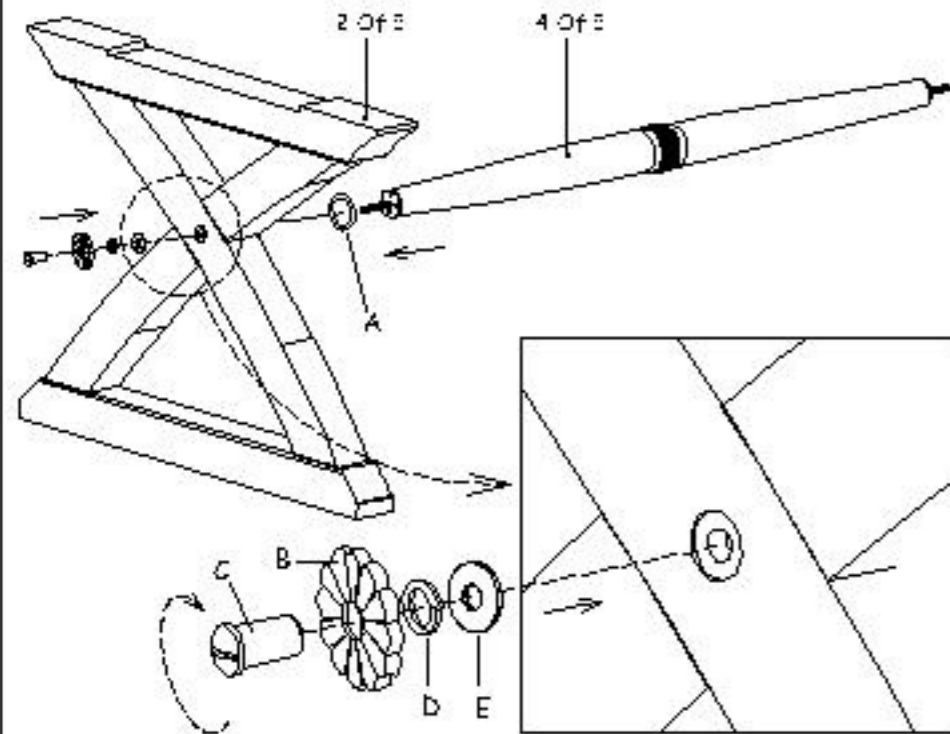
Material : Mango

Page :

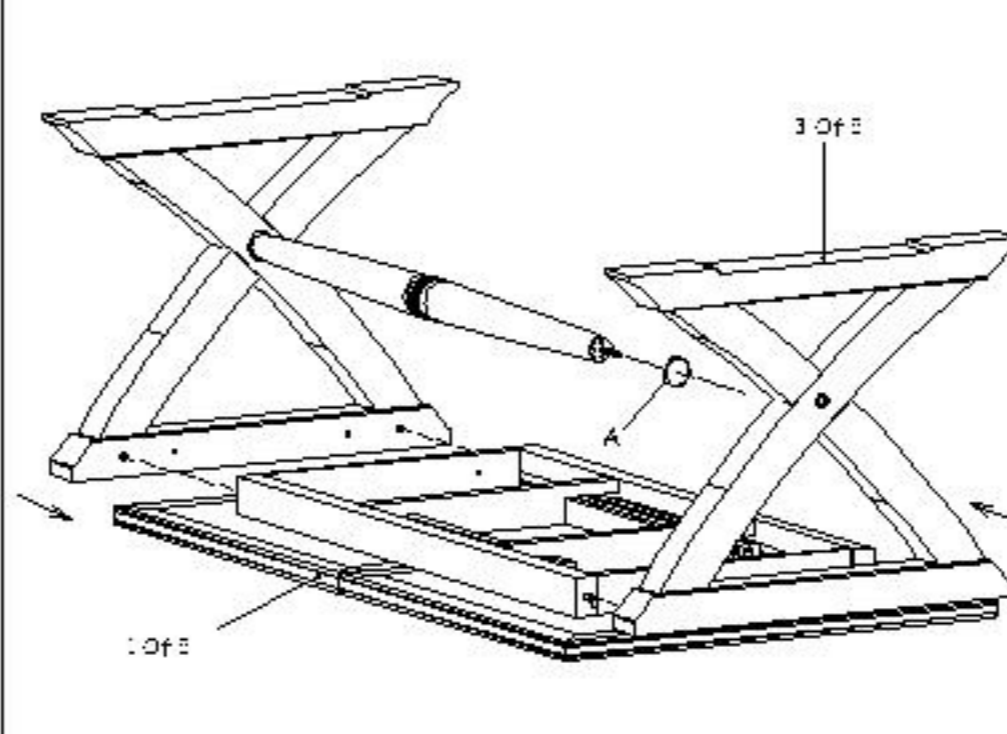
Descriptions :

FD 10 Cross Leg Ext. Dining Table

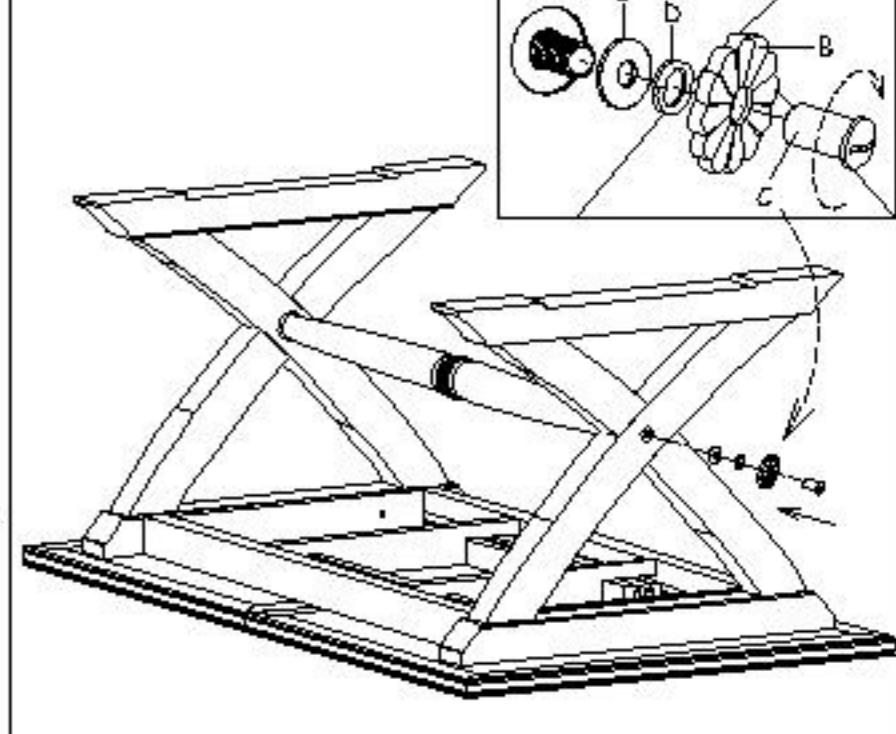
STEP 1



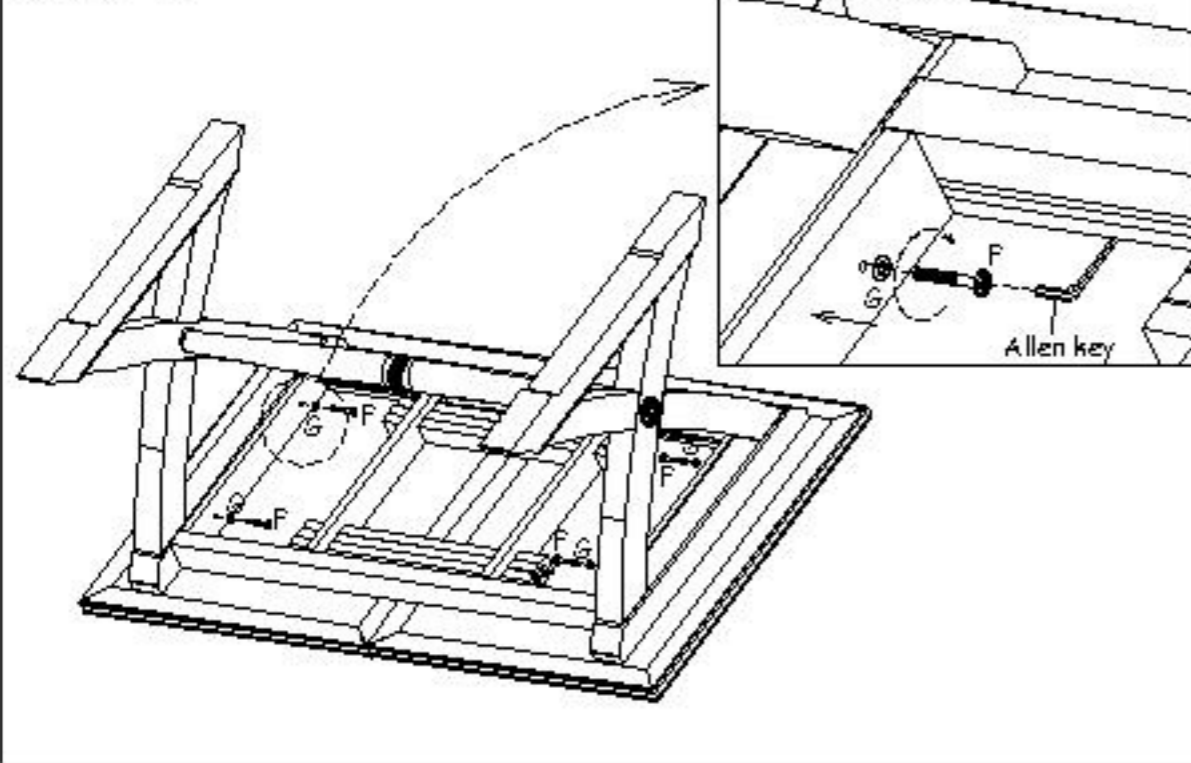
STEP 2



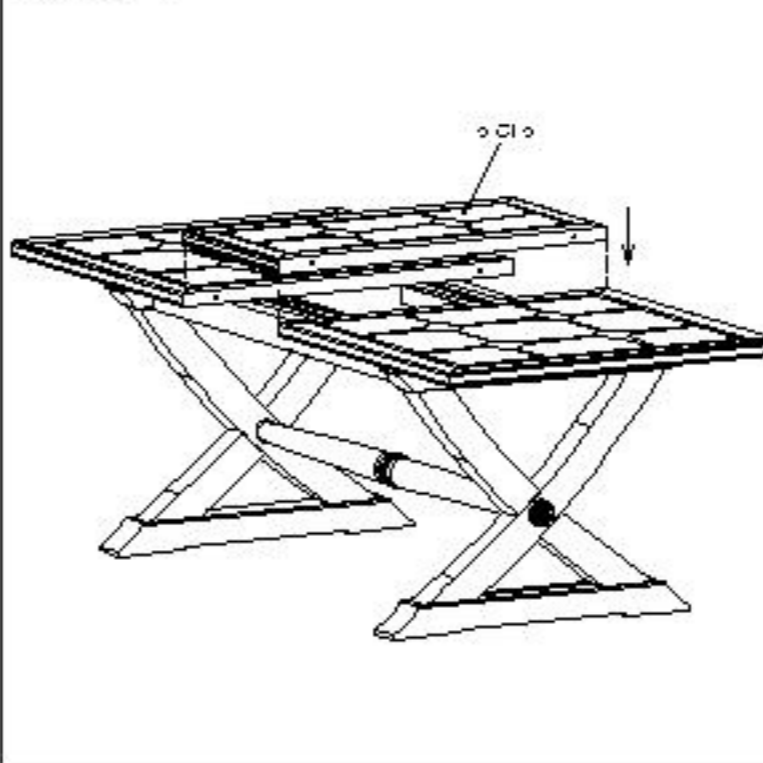
STEP 3



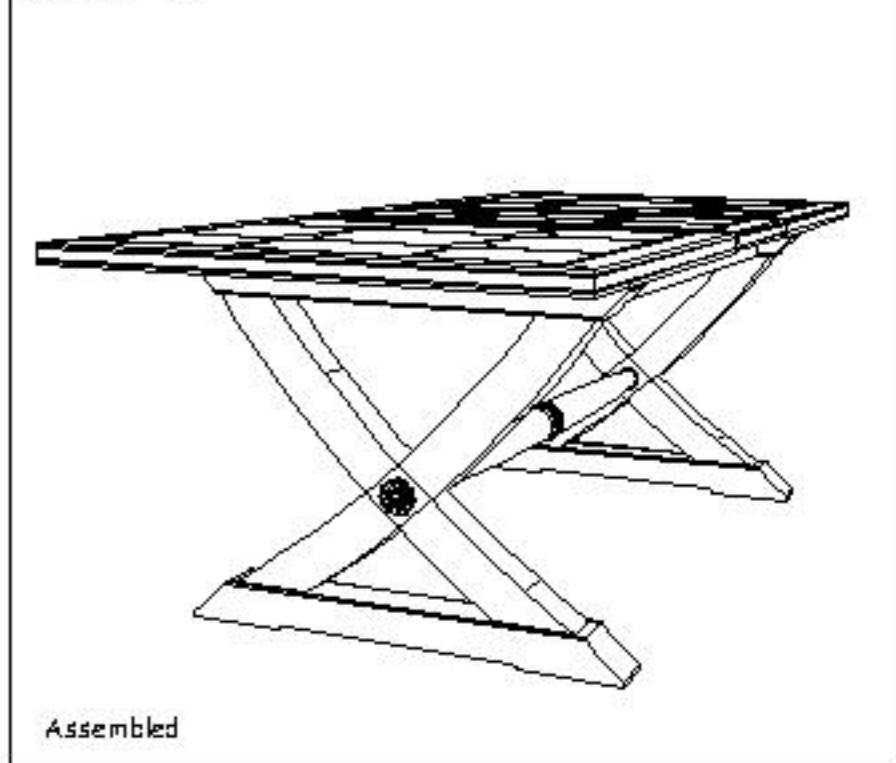
STEP 4



STEP 5



STEP 6



Assembled

Hardware

A = 2	B = 2	C = 2	D = 2	E = 2	F = 4	G = 4	Allen key

ASSEMBLING INSTRUCTION

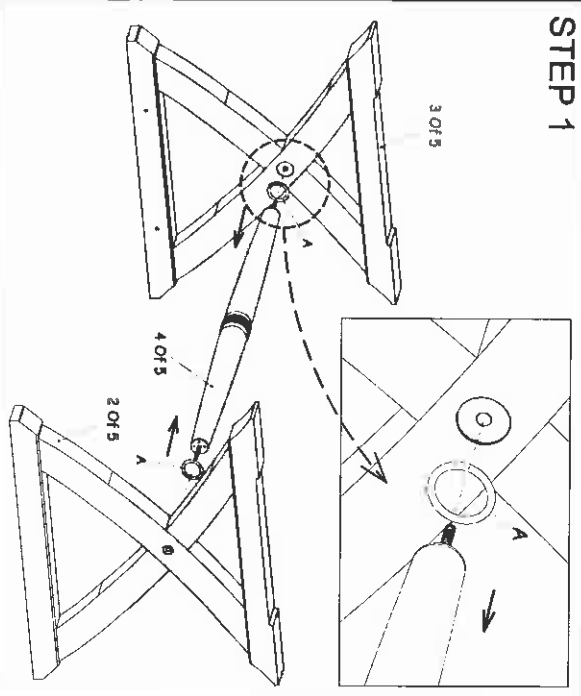
Material : Mango

Page :

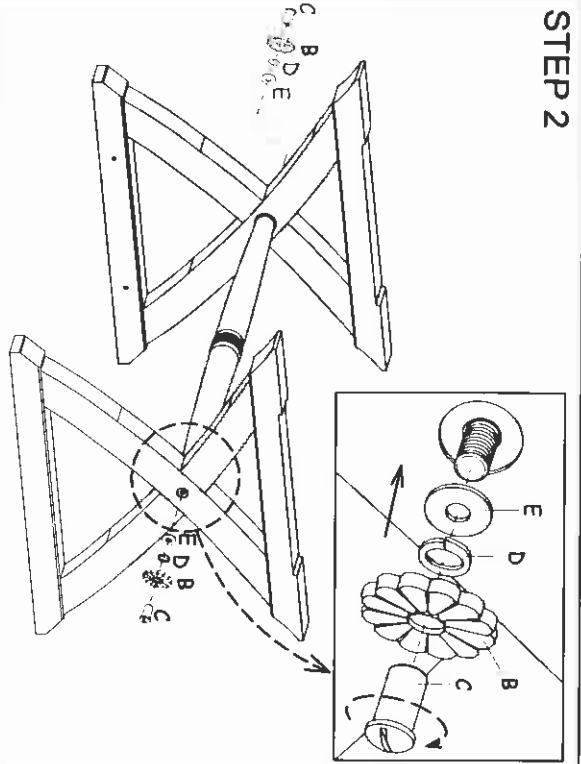
Descriptions :

FD09 Extension Dining Table

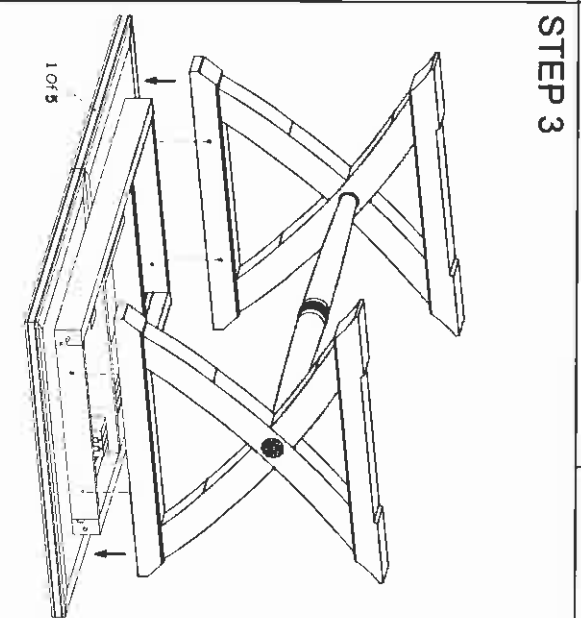
STEP 1



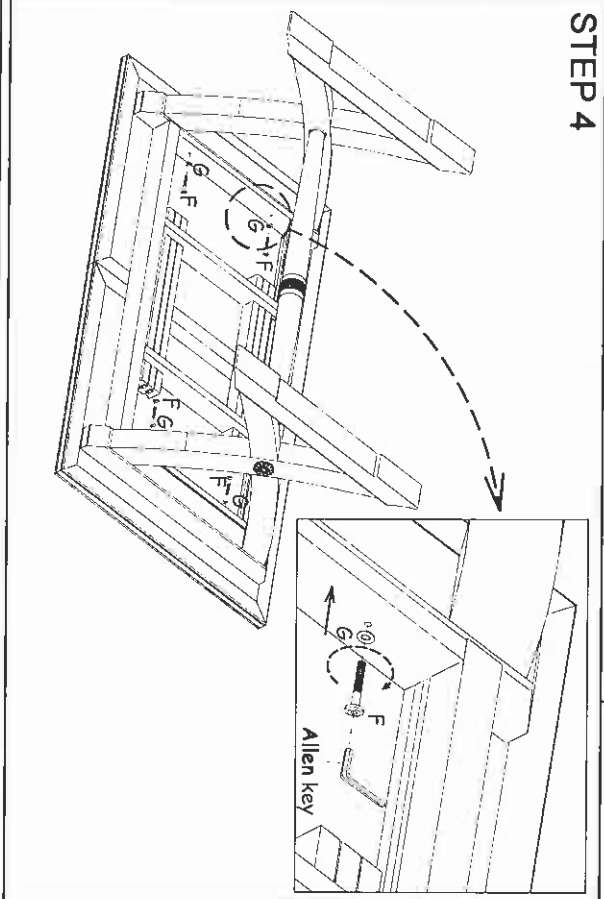
STEP 2



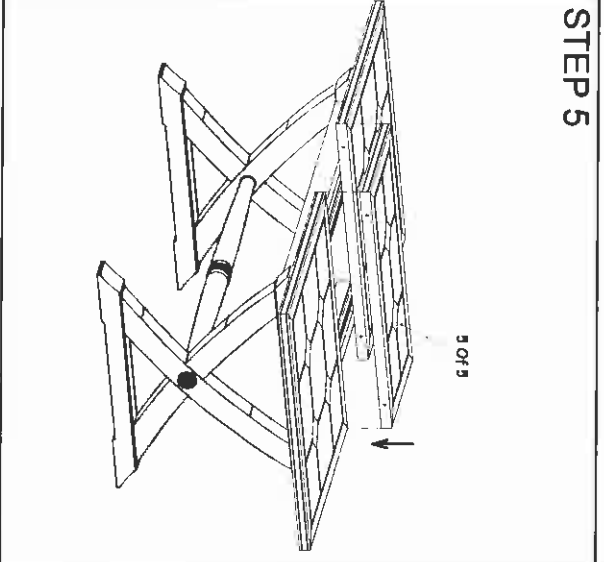
STEP 3



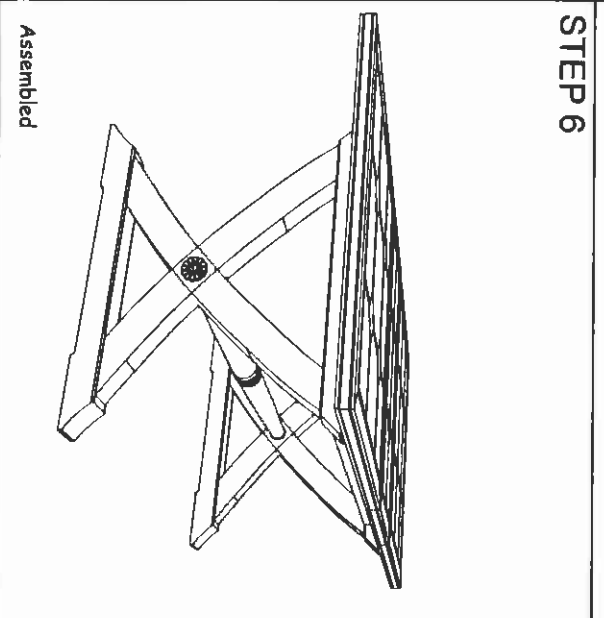
STEP 4



STEP 5



STEP 6



Hardware

A = 2



B = 2



C = 2



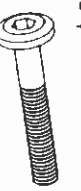
D = 2



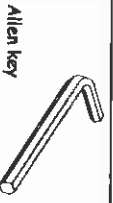
E = 2



E = 4



G = 4



Allen key

ASSEMBLING INSTRUCTION

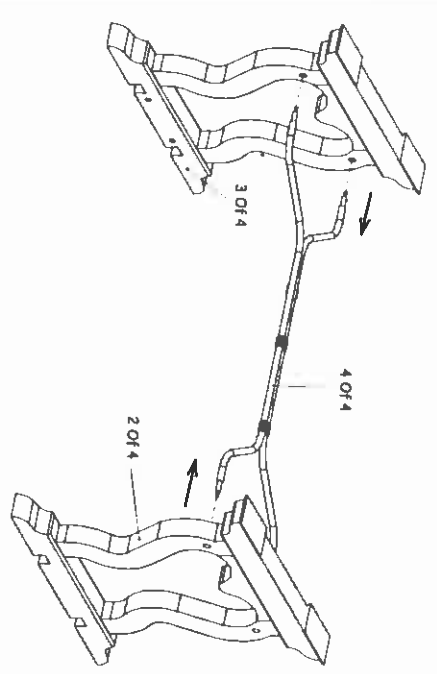
Material : Mango

Page :

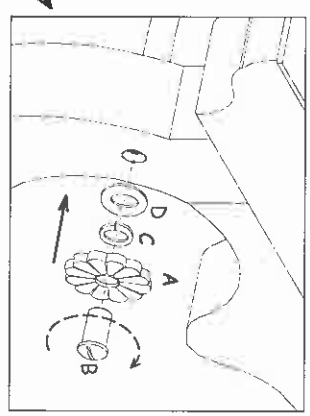
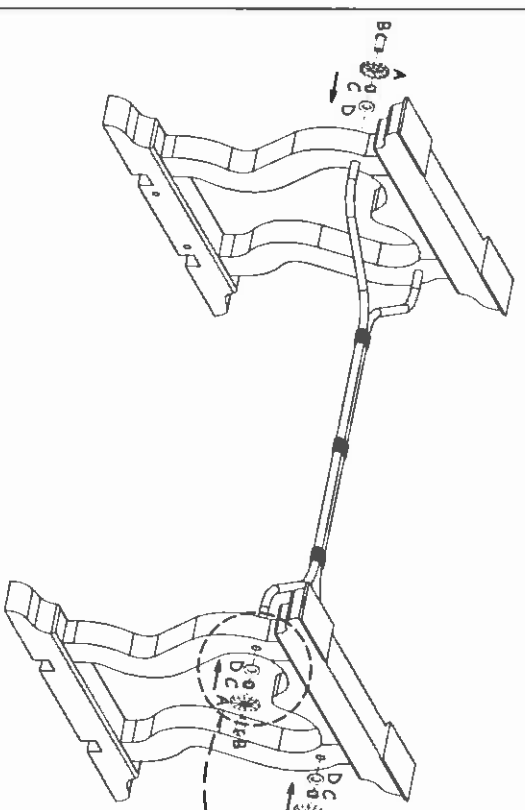
Descriptions :

FD08 Iron Dining Table

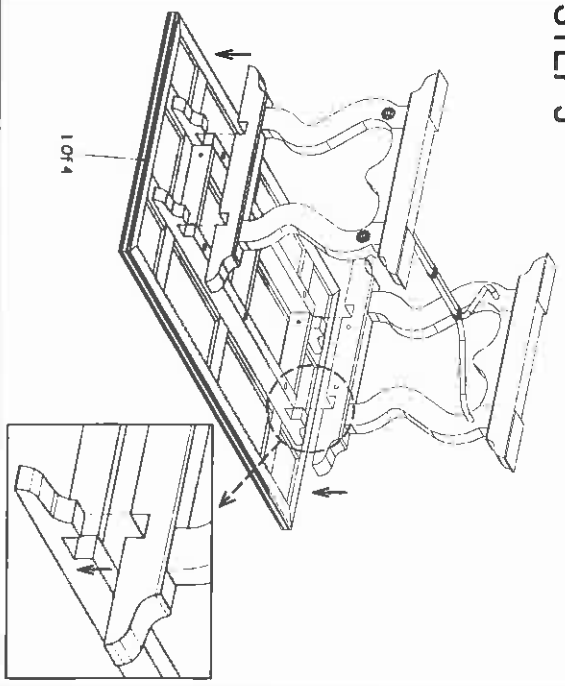
STEP 1



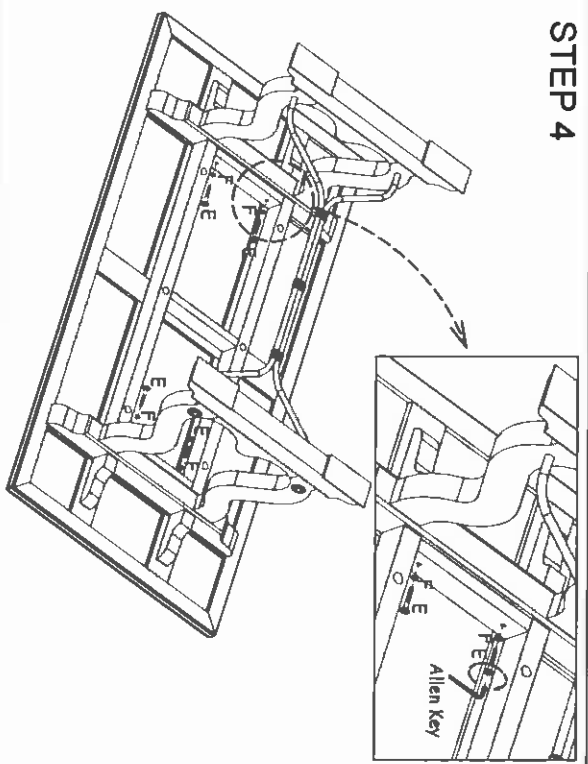
STEP 2



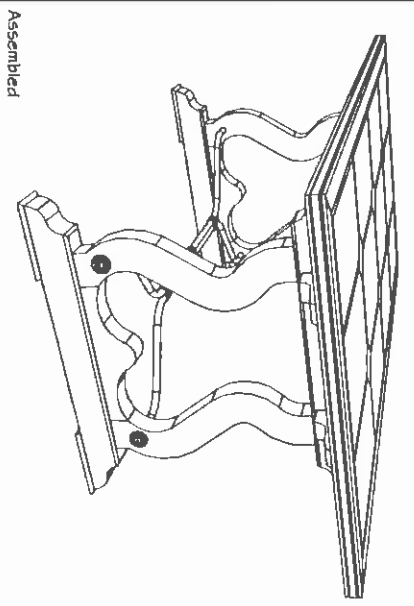
STEP 3



STEP 4

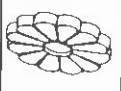


STEP 5

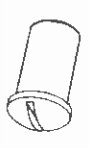


Hardware

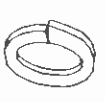
A = 4



B = 4



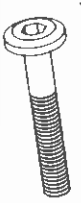
C = 4



D = 4



E = 4



F = 4



Allen key

